

Trilogy Series



Trilogy Stackless



Trilogy With Stacker

Customers with non-traditional footprint requirements or wide bills select the Trilogy Series. This durable, cost conscious solution blends the features and benefits demanded by a global marketplace into a single, wonderfully productive unit.

- Lockable, removable cashbox (Stacker models)
- Dual-stage optical anti-stringing technology
- High security design
- 12VDC standard
- Lighted arrows on bezel
- Flash updates via a PC

- Advanced diagnostics with PC
- Pushbutton / LED on-board diagnostics
- Simple setup with configuration card
- Many interfaces available including (see below)
- compatibility with other manufacturers
- Accepts bills up to 85mm wide
- Automatic self-calibration



Trilogy Series - Specifications:

Operating Voltage: 12 VDC (+/- 10%) standard.

Operating Currents: Idle: 50 mA Accepting: 1.0 A Stalled: 3.0 A.

Operating Temperature: 0C – 60C, 90 % non-condensing humidity.

Acceptance Rate: Greater than 95%, including second time insertion of a rejected note.

Acceptance Speed: Approx. 20 notes per minute.

Sensor Array: 10 Optical Sensors.

Notes Accepted: Up to 14 notes in all four directions (56 faces).

Net Weight: 1.3 lbs./0.59 kg.

Warranty: 2 years, parts and labor

Model Number Chart

<i>Series</i>	<i>Bezel</i>	<i>Cashbox</i>	<i>P.S./Comm.</i>	<i>Country</i>
T5	X	X	X	XXX

- 1- Euro Style *Stackerless-Only* Bezel (Notes up to 85 mm in width)
- 2- USA Style Bezel (Notes up to 66 mm in width)
- 3- USA Style Bezel (Notes up to 72 mm in width)
- 4- USA Style Bezel (Notes up to 74 mm in width)
- 5- USA Style Bezel (Notes up to 82 mm in width)
- 6- USA Style Wide Bezel (Notes up to 85 mm in width)
- 7- Euro Style Bezel with 66mm Inserts.
- 8- Euro Style Bezel with 72mm Inserts
- 9- Euro Style Bezel with 74mm Inserts

Cashbox

- N- None (Stackerless only)
- C- 500 Note Cassette – No Lock
- D- 500 Note Cassette – Lock Installed

P.S./Comm. (Power Supply/Communication Options)

- 1- 12 VDC Pulse Mode only (4-pin harness included)
- 2- 12 VDC Parallel/Parallel Binary and CC-Talk Operation (16-pin harness included)
- 3- MDB (Multi-Drop Bus Harness included)
- 4- 12 VDC USB Operation (4-pin power harness included as well as USB harness)

Country Code

Follows ISO three (3) digit Country Code- Example EUR = Euro notes, USA = USA notes



Trilogy Series – Supported Interfaces:

RS-232 – Uses the RS-232 communication standard to operate. Communication is between a PC or host board and the acceptor. See our [RS-232 documentation](#) and [API specification](#). This is sometimes referred to as USB when speaking of bill validators. Harnesses are available [here](#). *Speed*= 9600 Baud – 2 line communication.

Serial – An interface that sends data(bytes) over a single wire. This is sometimes referred to as Pot ‘o Gold (POG). *Speed* = 600 Baud – 1 direction of communication.

ccTalk – An interface that sends data(bytes) over a 2 wires similar to RS-232. This interface has a large command set (example: reset BV, vend, disable the \$1, etc..). *Speed* = 9600 Baud – 2 line communication.

MDB –Multi-Drop Bus – An interface that sends data(bytes) over a channel. It supports a whole set of specific commands (reset BV, vend, turn on, etc..) The connector is very specific. This interface was created in 1995 to try and standardize communication in vending machines. The most common user case would be in vending machines or change machines. See the [specification](#) *Speed* = 9600 Baud, Voltage = 24v

Pulse – A simplistic communication interface that works by toggling a pulse line. Every time the line is pulled high (toggled high), this counts is called a pulse. The number of pulses is how information is conveyed, example 1 pulse = \$1, then 5 pulses = \$5. The pulse can be through a relay contact on the 120v model or a transistor on the 12v model. There are two different types, Always Enabled and Standard Pulse. *Always Enabled* – Example: for an amusement game application that always wants to keep the validator on to accept money. *Standard Pulse* (has an enable line) – Example: the BV is disabled after a specific item in a column is out of stock or the changer is out of coins. Operators would not want to continue to accept money when there is no product left to vend or change to give.

Standard Pulse

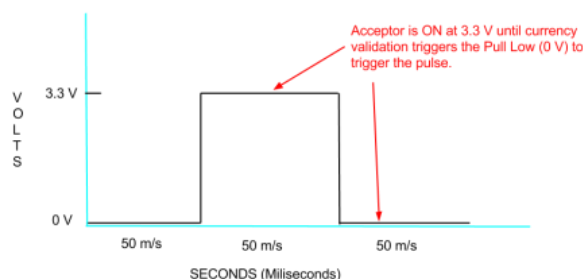
50 m/s ON — 50 m/s OFF

Always Enabled

Always ON (for use in amusement type applications where they are not giving an material “thing” that they could run out of.

Parallel

Has designated lines for particular denominations (\$1 line, \$5 line, \$10 line, \$20 line)



Trilogy Series – Currencies Accepted:

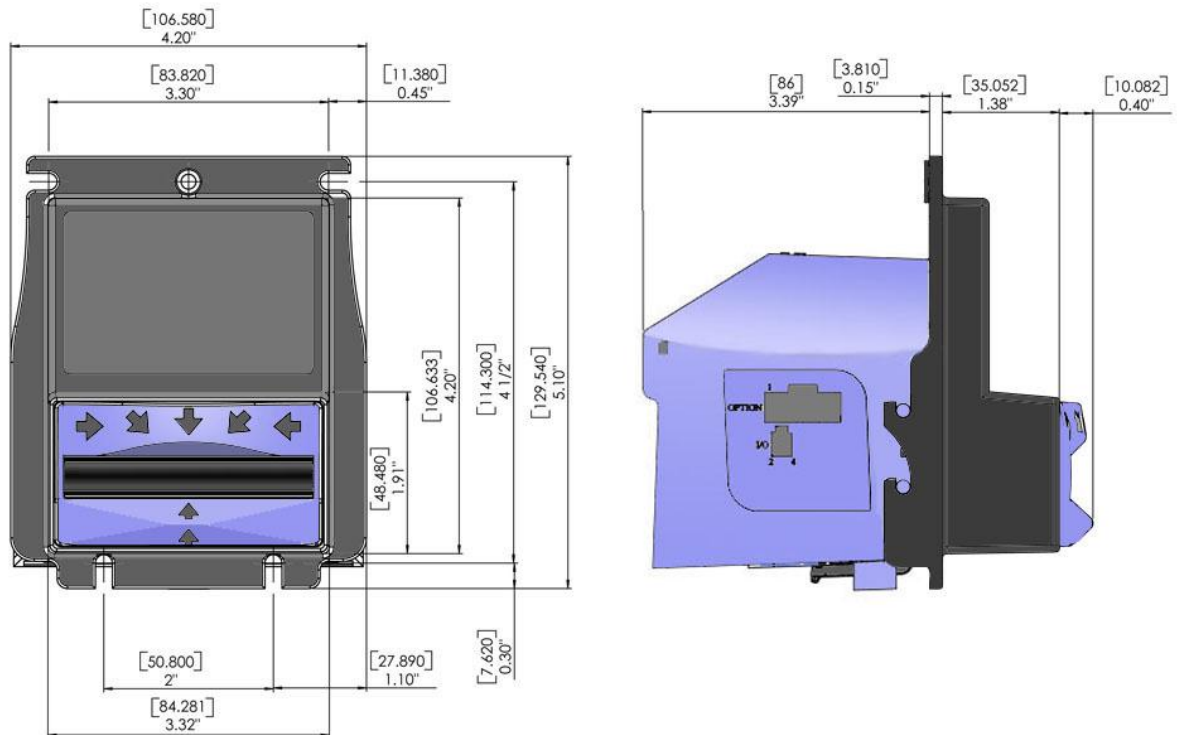
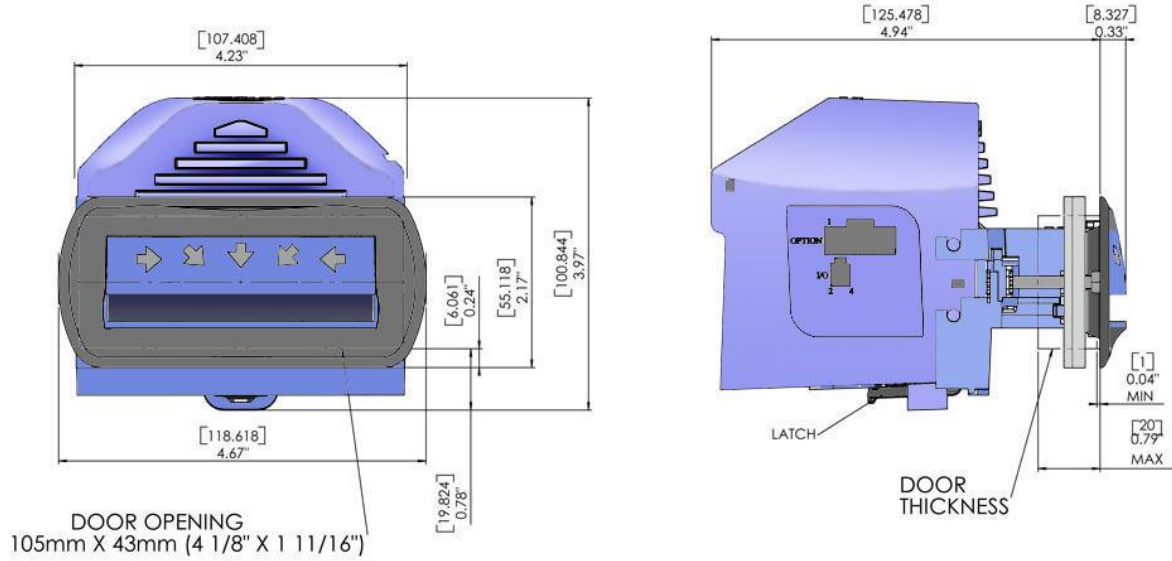
<i>ISO Code</i>	<i>Country</i>	<i>Denominations</i>	<i>Currency Unit</i>
ALB	Albania	100, 200, 500, 1000, 5000	Leke
ARG	Argentina	2, 5, 10, 20, 50, 100	Pesos
AUS	Australia	5, 10, 20	Dollars
BIH	Bosnia-Herzegovina	10, 20, 50, 100	Marka
BRA	Brazil	1, 2, 5, 10, 20, 50, 100	Real/Reais
BGR	Bulgaria	2, 5, 10, 20, 50, 100	Leva
CAN	Canada	5, 10, 20	Dollars
CHN	China	1, 5, 10, 20, 50, 100	Yuan (Renminbi)
COL	Colombia	1000, 2000, 5000, 10000, 20000, 50000	Pesos
CRI	Costa Rica	1000, 2000, 5000, 10000, 20000	Colones
HRV	Croatia	10, 20, 50, 100, 200, 500	Kuna
CZE	Czech Republic	50, 100, 200, 500, 1000, 2000	Koruna
DNK	Denmark	50, 100, 200, 500	Kroner
DOM	Dominican Republic	10, 20, 50, 100, 200, 500, 1000	Pesos
EGY	Egypt	0.25, 0.50, 1, 5, 10, 20	Pounds
GBR	England	5, 10, 20, 50	Pounds
EST	Estonia	2, 5, 10, 25, 50, 100, 500	Kroon
EUR	European Union	5, 10, 20, 50, 100	Euro
XPF	French Polynesia	500	Franc
GEO	Georgia	5, 10, 20	Lari
GHA	Ghana	1, 5, 10	Cedi
GTM	Guatemala	1, 5, 10, 20, 50, 100	Quetzales
HND	Honduras	5, 10, 20, 50, 100, 500	Lempiras
HUN	Hungary	200, 500, 1000, 2000, 5000, 10000, 20000	Forints

IND	India	5, 10, 20, 50, 100, 500, 1000	Rupees
JAM	Jamaica	50, 100, 500, 1000	Dollars
JPN	Japan	1000, 5000, 10000	Yen
KOR	Korea	1000, 5000, 10000	Won
KWT	Kuwait	1/4, 1/2, 1, 5, 10, 20	Dinar
LVA	Latvia	5, 10, 20, 50	Latu
LTU	Lithuania	10, 20, 50, 100, 200	Litu
MWI	Malawi	100, 200, 500	Kwacha
MTL	Malta	2, 5, 10, 20	Lira
MEX	Mexico	20, 50, 100, 200, 500	Pesos
MDA	Moldova	1, 5, 10, 20, 50, 100, 200	Lei
NZL	New Zealand	5, 10, 20, 50, 100	Dollars
NIC	Nicaragua	10, 20, 50, 100, 200, 500	Córdobaos
NGA	Nigeria	5, 10, 20, 50, 100, 200, 500, 1000	Naira
NOR	Norway	50, 100, 200, 500	Kroner
PAK	Pakistan	50, 100, 500, 1000	Rupee
PNG	Papua New Guinea	2, 5, 10, 20, 50, 100	Kinas
PRY	Paraguay	1000, 5000, 10000, 20000, 50000, 100000	Guaranies
PER	Peru	10, 20, 50, 100	Nuevos Soles
POL	Poland	10, 20, 50, 100	Zlotych
ROU	Romania	1, 5, 10, 50, 100, 200	Lei
RUS	Russian Federation (Russia)	10, 50, 100, 500, 1000	Rubles
SAU	Saudi Arabia	1, 2, 5, 10, 20, 50	Riyals
SCO	Scotland	5, 10, 20	Pounds
SRB	Serbia	100, 200, 500, 1000, 5000	Dinara
SYC	Seychelles	25, 50, 100	Rupees
SVK	Slovakia	20, 50, 100, 200, 500, 1000	Koruna
ZAF	South Africa	10, 20, 50, 100	Rand



SWE	Sweden	20, 50, 100, 500	Kronor
CHE	Switzerland	10, 20, 50, 100	Franc
TTO	Trinidad & Tobago	1, 5, 10, 20, 100	Dollars
UGA	Uganda	1000, 2000, 5000, 100000, 20000, 50000	Shillings
UKR	Ukraine	1, 2, 5, 10, 20, 50, 100, 200	Hryvna
URY	Urguay	20, 50, 100, 200, 500, 1000	Peso

Trilogy Series – Stackerless - Dimensions:



Trilogy Series – With Stacker - Dimensions:

